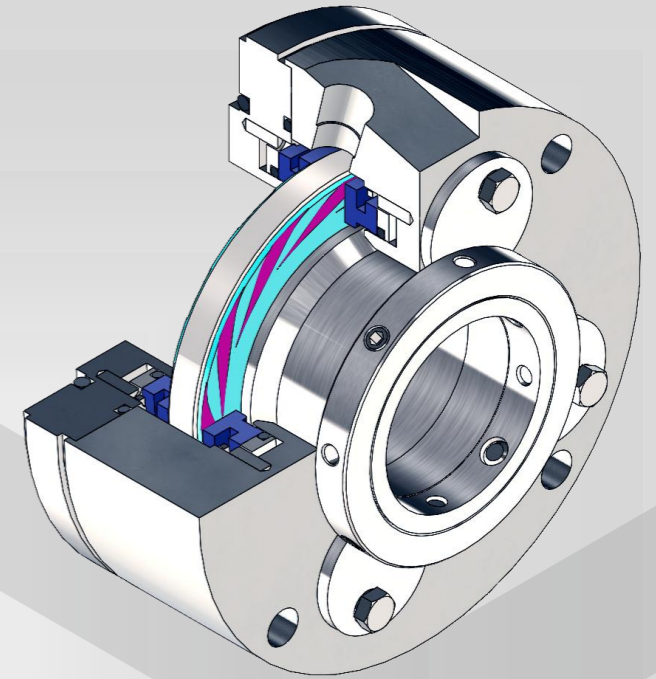


台灣化學產業協會

Taiwan Chemical Industry Association

Scenic®



攤位號 Booth No.13

非接觸式乾氣軸封

Non-contact Dry Gas Seal

創新密封科技，引領零碳未來
Innovating for a Carbon-Free Future

■ 零洩漏的高密封性能

- 零VOC、零污染的最佳配套
- 潔淨的操作空間
- 友善地球環境

Zero VOC Emissions

- Zero pollution sealing solution
- Clean operating environment
- Earth-Friendly

■ 動態時無摩擦的密封磨面

- 沒有摩擦熱及損耗延長使用壽命
- 不須潤滑油及外接冷卻裝置
- 無需外接冷卻泵，較接觸式軸封節能7~12%

Frictionless Sealing Faces

- NO heat generation and wear from friction for extended lifespan
- Lubricating oil & external cooling systems NOT required
- External cooling pump NOT required, saving 7~12% of power compared with contact seal

「節能減碳、友善地球」一直是Scenic研發產品的宗旨，而優秀的產品在創造時就需考慮對人類環境的永續。因此，Scenic特別推出專為化工製程設備而設計的非接觸式軸封。這將改變流體設備的運作方式，為節能減碳做出貢獻，並助力台灣邁向淨零的未來。我們將不遺餘力，為地球的永續發展盡一份心力。

“Energy Conservation, Carbon Reduction, and Earth-Friendly” have always been the core principles driving Scenic's product development. We believe that exceptional products should consider the long-term impact on the environment from the very beginning. With this in mind, Scenic has introduced Non-contact seal specifically designed for the chemical industry. This revolutionize the operation of fluid equipment while contributing to Taiwan's path towards a Carbon-Free future. We are committed to wholeheartedly dedicating our efforts to the sustainable development of our planet.