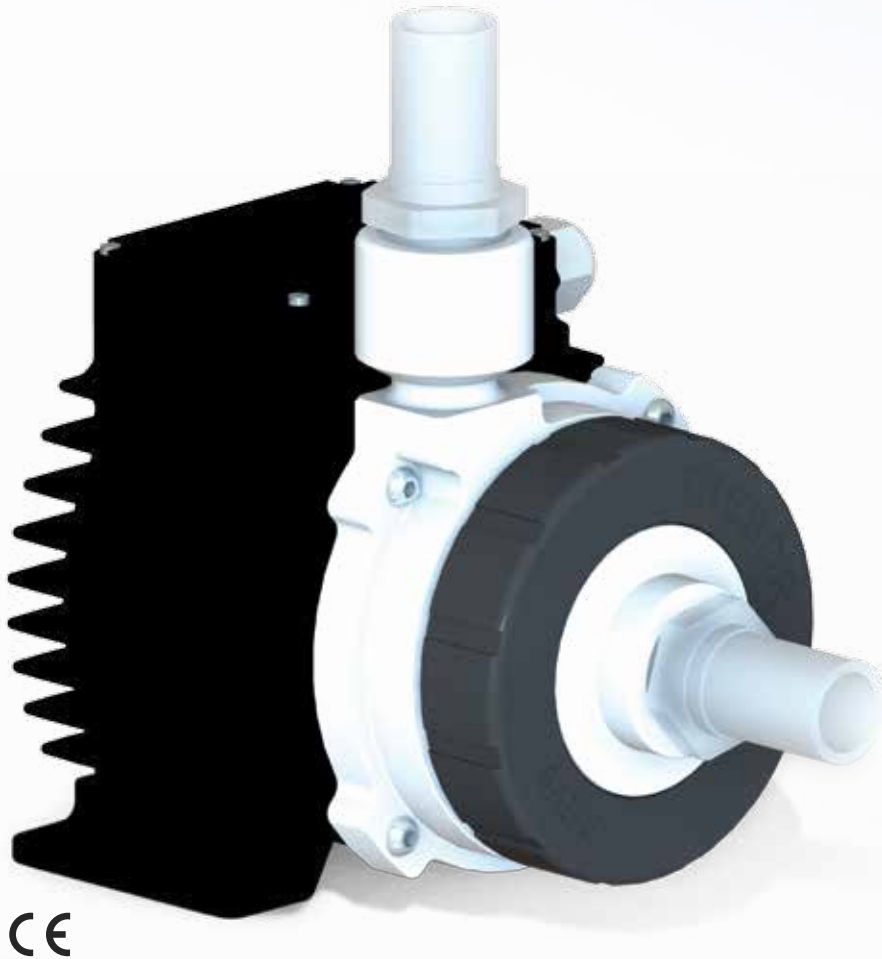


REV6

Smooth and Efficient



SIMPLIFIED
PORT ADAPTERS
FOR MULTIPLE
CONFIGURATIONS

BEARINGLESS
MOTOR

UNION NUT FOR
RADIAL FORCE
SUPPORT & LEAK
PROTECTION

MAGNETICALLY
LEVITATING
IMPELLER

FEATURING

PERLAST®

Sealing Technology

This is a revolution for Trebor. The Rev6 is a centrifugal pump with a magnetically levitated impeller that significantly decreases wear points, particle generation, and shear forces on fluid as compared to other pumps. This technology is the perfect replacement solution for plating applications where Mag-Drive pumps have experienced negative process impacts from metallic precipitation within the bearing gap. It is ideal for slurry and chemical polishing applications where laminar flows and variable control are critical.

This is PURE INNOVATION.



MAX FLOW
75 LPM / 20 GPM



MAX TEMPERATURE
90 °C / 194 °F



MAX STATIC PRESSURE
116 PSI / .80 MPa @ 25 C
97 PSI / .67 MPa @ 90 C

TREBOR

treborintl.com

Trebor International | North/South America +1 800 669 1303 | Europe +49 9120 1804-65 | Asia +65 6684 7319

A Unit of IDEX Corporation

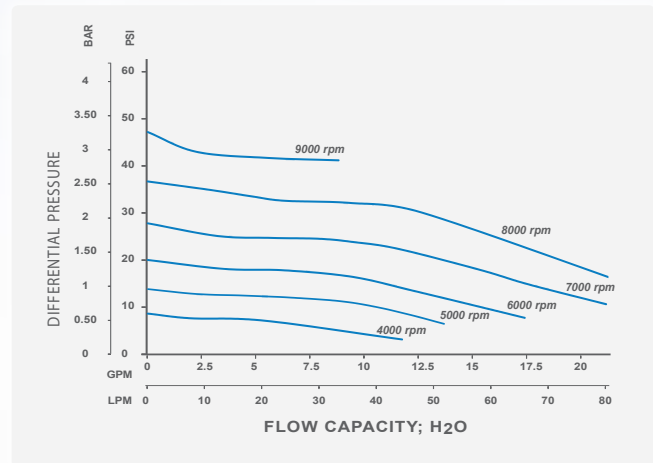
PUMP OPTIONS

PUMP	REV6A0 Pump, Motor, Standalone Controller, Motor Attachment Screws, Manual **pump requires power supply and cables to operate
-------------	--

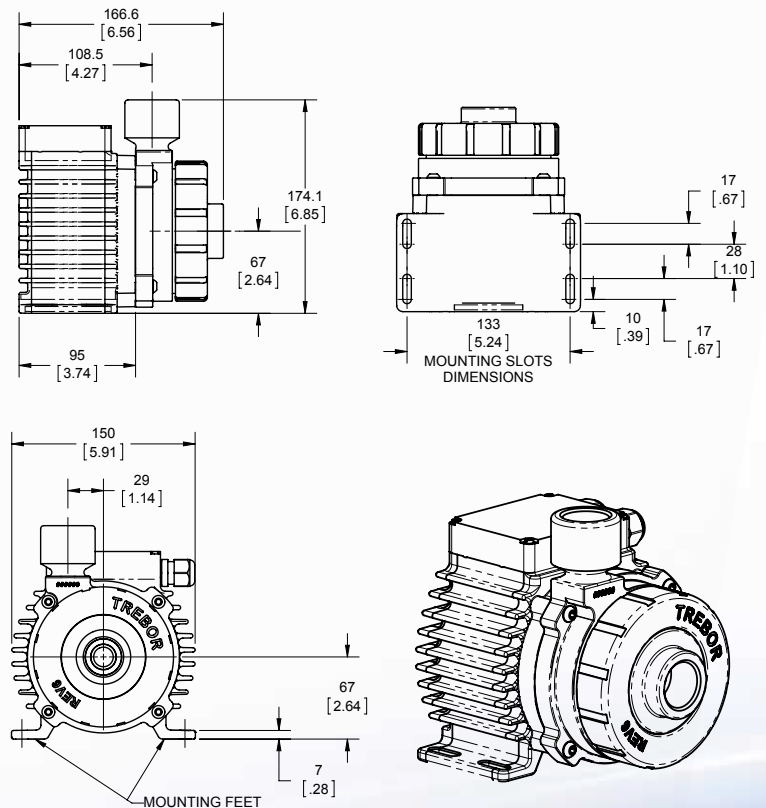
ACCESSORIES (ORDERED SEPARATELY)

MOTOR	98004270 Standard Motor with 3m FEP jacketed cable
CONTROLLER	98004271 Standalone Controller (Speed control or PLC control)
POWER CABLE	98004272-01 0.5m
	98004272-02 3m
	98004272-03 5m
	98004272-04 7m
	98004272-05 10m
**all power cables are PVC jacketed cable with circular AMP and D-Sub connector	
SENSOR CABLE	98004273-01 0.5m
	98004273-02 3m
	98004273-03 5m
	98004273-04 7m
	98004273-05 10m
**all sensor cables are PVC jacketed cable with circular AMP and D-Sub connector	
POWER SUPPLY	98004274 600W, 48V, DC power supply

FLOW PERFORMANCE



DIMENSIONS IN MILLIMETERS (IN.)



FLUID PORT ADAPTERS (ORDERED SEPARATELY)

PTFE Gasket	G12000-10 ¼" Weldable Pipe Stub
	G12F08-10 ½" Flare
	G12F12-10 ¾" Flare
	G12F16-10 1" Flare
	G12P12-10 ¾" Female NPT
	G12PL12-10 ¾" PrimeLock
	G12T12-10 ¾" Tube Stub
	G12X12-10 ¾" Pillar
FFKM Seals	O12000 ¼" Weldable Pipe Stub
	O12F08 ½" Flare
	O12F12 ¾" Flare
	O12F16 1" Flare
	O12P12 ¾" Female NPT
	O12PL12 ¾" PrimeLock
	O12T12 ¾" Tube Stub
	O12X12 ¾" Pillar

Example: G12F08-10

Trebor uses virgin PTFE and PFA in all products...no re-processed material is allowed.

Trebor International | North/South America +1 800 669 1303 | Europe +49 9120 1804-65 | Asia +65 6684 7319



treborintl.com

A Unit of IDEX Corporation